

# N Series High Flow

## CARTRIDGE FILTER HOUSINGS

Wide Range of Features and Options  
Aqueous Flow Rates to 4800 gpm

### INTRODUCTION

The Jonell Systems N series (formerly Nowata) high-flow, multi-cartridge filter housings are designed for long life and exceptional value. These multipurpose, high flow, 150 psi filters are built with our continued commitment to quality that has made us a leader in filtration systems worldwide.

N series filter housings have numerous, customizable options and features including sizes ranging from 22 to 230 cartridge models.

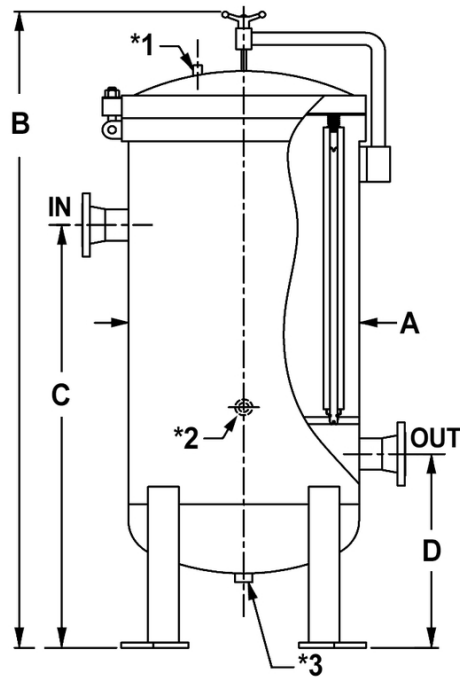
Housing construction materials are carbon steel (NC series) or 316 stainless steel (NU series). All N series filters are built to ASME code design standards for added quality assurance.

### FEATURES

- 150 psi working pressure
- Aqueous flow rates up to 4600 gpm
- 1/32" Corrosion allowance standard for carbon steel, 0" allowance for 316 stainless steel
- All models built to ASME code standards, code stamp available upon request
- 7 Housing size options: 22, 36, 55, 88, 128, 174 and 230 cartridge models
- Construction materials: carbon steel (NC series), or 316 stainless steel (NU series)
- 150# Flanged inlet and outlet connections are available
- 2" FNPT internal pipe thread inlet chamber dirty drain, 1" FNPT clean drain, & 1/2" FNPT vent are standard
- 3 Cartridge length options: 29-1/4", 30" or 40"
- Accepts 2-1/2" outside diameter by 1" inside diameter filter cartridges
- 316 Stainless cup and spring cartridge mounting hardware. Cup design accepts double open-end or 222 o-ring style cartridges without modification
- Swing bolt closure for fast and easy cartridge replacement
- Buna o-ring closure seal is standard, other seal materials are available



## DIMENSIONAL INFORMATION



Model	Material	No. Round x No. High	No. of Cartridges	Cartridge Length	Connection Size & Type	A	B	C	D
NC66TU15W4	Carbon steel	22 x 3	66	29¼ or 30	4" 150#	16	64	38	17
NU66TU15W4	316 SS	22 x 3	66	29¼ or 30	4" 150#	16	64	38	17
NC88QU15W4	Carbon steel	22 x 4	88	40	4" 150#	16	74	38	17
NU88QU15W4	316 SS	22 x 4	88	40	4" 150#	16	74	38	17
NC108TU15W6	Carbon steel	36 X 3	108	29¼ or 30	6" 150#	20	68	40	18½
NU108TU15W4	316 SS	36 X 3	108	29¼ or 30	6" 150#	20	68	40	18½
NC144QU15W6	Carbon steel	36 X 4	144	40	6" 150#	20	78	40	18½
NU144QU15W6	316 SS	36 X 4	144	40	6" 150#	20	78	40	18½
NC165TU15W6	Carbon steel	55 x 3	165	29¼ or 30	6" 150#	24	81	44	23
NU165TU15W6	316 SS	55 x 3	165	29¼ or 30	6" 150#	24	81	44	23
NC220QU15W6	Carbon steel	55 x 4	220	40	6" 150#	24	85	44	23
NU220QU15W6	316 SS	55 x 4	220	40	6" 150#	24	85	44	23
NC264TU15W8	Carbon steel	88 X 3	264	29¼ or 30	8" 150#	30	85	48	25½
NU264TU15W8	316 SS	88 X 3	264	29¼ or 30	8" 150#	30	85	48	25½
NC352QU15W8	Carbon steel	88 X 4	352	40	8" 150#	30	91	48	25½
NU352QU15W8	316 SS	88 X 4	352	40	8" 150#	30	91	48	25½
NC384TU15W10	Carbon steel	128 x 3	384	29¼ or 30	10" 150#	36	90	52	27
NU384TU15W10	316 SS	128 x 3	384	29¼ or 30	10" 150#	36	90	52	27
NC512QU15W10	Carbon steel	128 x 4	512	40	10" 150#	36	100	52	27
NU512QU15W10	316 SS	128 x 4	512	40	10" 150#	36	100	52	27
NC522TU15W12	Carbon steel	174 x 3	522	29¼ or 30	12" 150#	42	96	56	30
NU522TU15W12	316 SS	174 x 3	522	29¼ or 30	12" 150#	42	96	56	30
NC696QU15W12	Carbon steel	174 x 4	696	40	12" 150#	42	102	56	30
NU696QU15W12	316 SS	174 x 4	696	40	12" 150#	42	102	56	30
NC690TU15W14	Carbon steel	230 x 3	690	29¼ or 30	14" 150#	48	102	60	33
NU690TU15W14	316 SS	230 x 3	690	29¼ or 30	14" 150#	48	102	60	33
NC920QU15W14	Carbon steel	230 x 4	920	40	14" 150#	48	108	60	33
NU920QU15W14	316 SS	230 x 4	920	40	14" 150#	48	108	60	33

Dimensions in inches except where noted. Due to our continuing program of product improvement, specifications are for reference only and subject to change without notice. Dimensions are approximate values and not intended for piping specifications.

- NOTES:**
- 1 = Vent connection: 1/2" FNPT
  - 2 = Dirty drain connection: 2" FNPT
  - 3 = Clean drain connection: 1" FNPT
  - NU series filters have all wetted surfaces made of 316 stainless steel
  - Legs and swing bolts made of carbon steel
  - Housings with a 24 inch O.D. or less will have a flat top closure
  - Larger O.D. housings will have a dish top closure (as shown)



# N Series Medium Flow

## CARTRIDGE FILTER HOUSINGS

Wide Range of Features and Options

Aqueous Flow Rates to 336 gpm and 150 psi

### INTRODUCTION

The Jonell Systems N Series (formerly Nowata) medium-flow cartridge filter housings are designed for long life and exceptional value. These multipurpose, medium flow, filters are built with our continued commitment to quality.

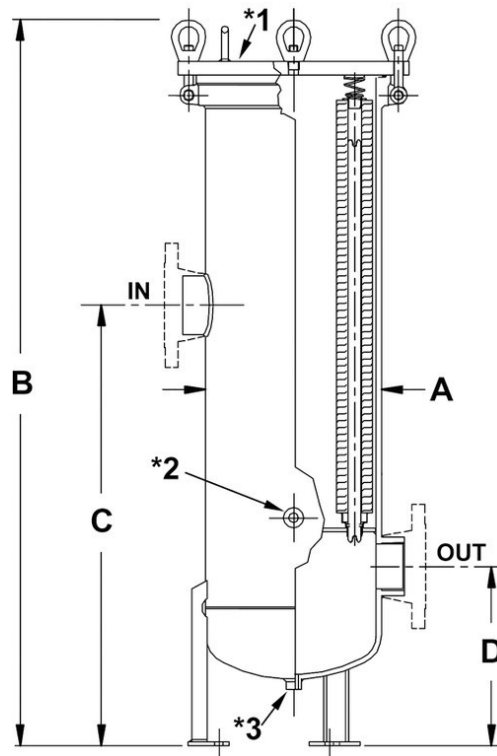
N series filters are built to ASME code design standards for added quality assurance. Housings are available in carbon steel or 316 stainless steel construction as standard. Housing features include FNPT or flanged inlet and outlet, flow rates to 336 gallons per minute, 150 psi and multiple cartridge length options.

### FEATURES

- Carbon steel (NC series) or 316 stainless steel (NU series) construction
- 150 psi working pressure rating
- Aqueous flow rates up to 336 gpm (for higher flow rates, see N series High-Flow datasheet)
- 1/32" corrosion allowance standard for carbon steel, and 0" allowance for 316 stainless steel
- All models built to ASME code standards, code stamp available upon request
- 2 housing size options: 6 or 14 cartridge models
- 7 cartridge length options: 9¾" or 10", 19½" or 20", 29¼" or 30" and 40"
- Internal NPT or 150# flanged inlet and outlet connections are available
- 1/2" FNPT internal pipe thread inlet chamber drain, housing clean drain, and vent, all standard
- Accepts filter cartridges with 2-1/2" outside diameter by 1" inside diameter
- 316 stainless cup and spring cartridge mounting hardware
- Cup design accepts double open-end or 222 o-ring style cartridges without modification
- Swing bolt closure for fast, easy cartridge replacement
- Buna o-ring closure seal standard, other seal materials are available



## DIMENSIONAL INFORMATION



Model	Material	No. Round x No. High	No. of Cartridges	Cartridge Length	Connection Size & Type	A	B	C	D
NC6SU152	Carbon steel	6 x 1	6	9¾ or 10	2" FNPT	8	31½	21½	12 <sup>3</sup> / <sub>8</sub>
NU6SU15N2	316 SS	6 X 1	6	9¾ or 10	2" FNPT	8	31½	21½	12 <sup>3</sup> / <sub>8</sub>
NC6SU15W2	Carbon steel	6 X 1	6	9¾ or 10	2" 150# RFWN	8	31½	21½	12 <sup>3</sup> / <sub>8</sub>
NU6SU15W2	316 SS	6 X 1	6	9¾ or 10	2" 150# RFWN	8	31½	21½	12 <sup>3</sup> / <sub>8</sub>
NC12DU15N2	Carbon steel	6 X 2	12	19½ or 20	2" FNPT	8	41½	21½	12 <sup>3</sup> / <sub>8</sub>
NU12DU15N2	316 SS	6 X 2	12	19½ or 20	2" FNPT	8	41½	21½	12 <sup>3</sup> / <sub>8</sub>
NC12DU15W2	Carbon steel	6 X 2	12	19½ or 20	2" 150# RFWN	8	41½	21½	12 <sup>3</sup> / <sub>8</sub>
NU12DU15W2	316 SS	6 X 2	12	19½ or 20	2" 150# RFWN	8	41½	21½	12 <sup>3</sup> / <sub>8</sub>
NC18TU15N2	Carbon steel	6 X 3	18	29¼ or 30	2" FNPT	8	53	31½	12 <sup>3</sup> / <sub>8</sub>
NU18TU15N2	316 SS	6 X 3	18	29¼ or 30	2" FNPT	8	53	31½	12 <sup>3</sup> / <sub>8</sub>
NC18TU15W2	Carbon steel	6 X 3	18	29¼ or 30	2" 150# RFWN	8	53	31½	12 <sup>3</sup> / <sub>8</sub>
NU18TU15W2	316 SS	6 X 3	18	29¼ or 30	2" 150# RFWN	8	53	31½	12 <sup>3</sup> / <sub>8</sub>
NC24QU15N2	Carbon steel	6 X 4	24	40	2" FNPT	8	63	31½	12 <sup>3</sup> / <sub>8</sub>
NU24QU15N2	316 SS	6 X 4	24	40	2" FNPT	8	63	31½	12 <sup>3</sup> / <sub>8</sub>
NC24QU15W2	Carbon steel	6 X 4	24	40	2" 150# RFWN	8	63	31½	12 <sup>3</sup> / <sub>8</sub>
NU24QU15W2	316 SS	6 X 4	24	40	2" 150# RFWN	8	63	31½	12 <sup>3</sup> / <sub>8</sub>
NC28DU15W3	Carbon steel	14 X 2	28	19½ or 20	3" 150# RFWN	12	42¾	22	13
NU28DU15W3	316 SS	14 X 2	28	19½ or 20	3" 150# RFWN	12	42¾	22	13
NC42TU15W3	Carbon steel	14 X 3	42	29¼ or 30	3" 150# RFWN	12	52¾	32	13
NU42TU15W3	316 SS	14 X 3	42	29¼ or 30	3" 150# RFWN	12	52¾	32	13
NC56QU15W3	Carbon steel	14 x 4	56	40	3" 150# RFWN	12	62¾	32	13
NU56QU15W3	316 SS	14 x 4	56	40	3" 150# RFWN	12	62¾	32	13

Dimensions in inches except where noted. Due to our continuing program of product improvement, specifications are for reference only and subject to change without notice. Dimensions are approximate values and not intended for piping specifications.

- NOTES:**
- 1 = Vent connection: 1/2" FNPT
  - 2 = Dirty drain connection: 1/2" FNPT
  - 3 = Clean drain connection: 1/2" FNPT
  - NU series filters have all wetted surfaces made of 316 stainless steel
  - Cover swing bolts made of carbon steel
  - Carbon steel legs on NC series models and 316 stainless steel legs on NU series models

